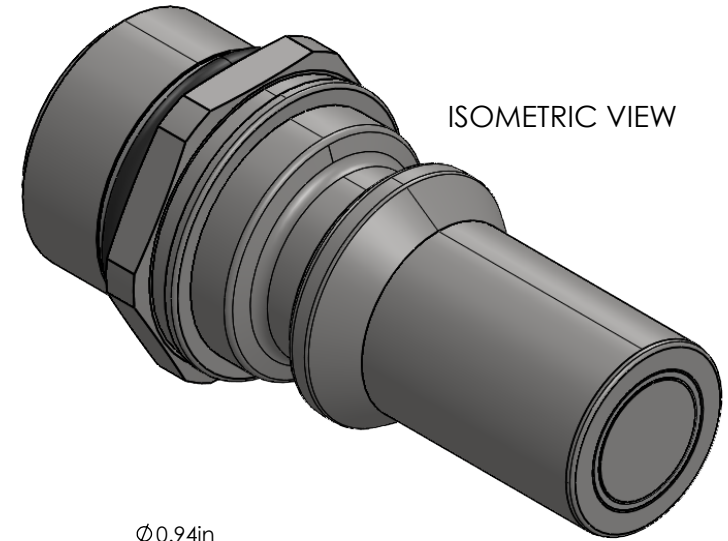
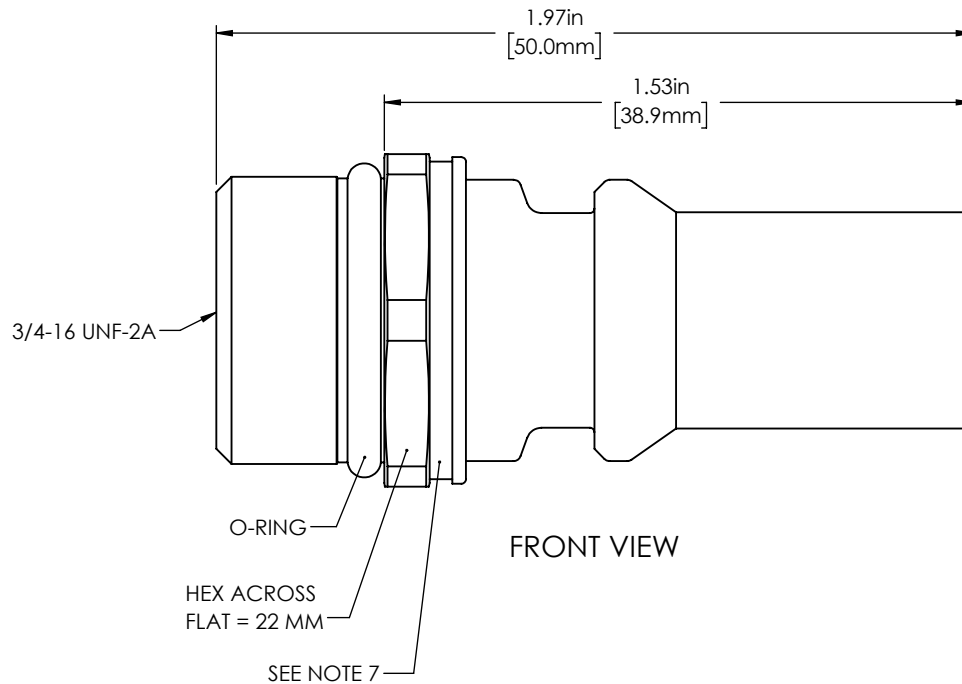


NOTES:

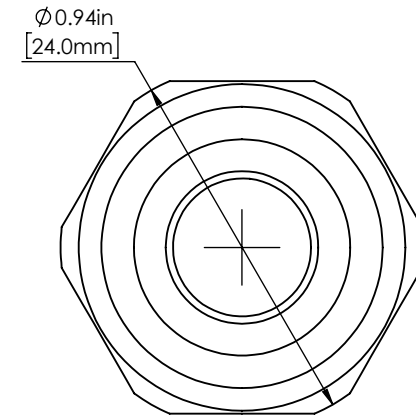
1. METAL IS UNS S31603/AISI 316L PER ASTM A276.
2. O-RING MATERIAL IS EPDM.
3. MAXIMUM WORKING PRESSURE = 20 BAR (290 PSI).
4. BURST PRESSURE RATING = 80 BAR (1160 PSI).
5. TEMPERATURE RATING = -40°C TO 120°C (-40°F TO 248°F).
6. TORQUE THREAD TO 25 N-M (221 IN-LB).
7. A BLUE OR RED RING IS LOCATED HERE.
8. FORCE TO CONNECT UNDER NO PRESSURE = 54 N (12.1 LBF).
9. MAXIMUM FLOW RATE = 46.5 LPM (12.3 GPM).
10. FLOW COEFFICIENT = 2.98.
11. MAXIMUM FLUID LOSS = <0.025 ML (0.39 DROP).



ISOMETRIC VIEW



FRONT VIEW



RIGHT END VIEW

UNLESS OTHERWISE SPECIFIED:  
 DIMENSIONS ARE IN INCHES.  
 BREAK ALL SHARP EDGES .005 MAX.  
 TOLERANCES:  
 ANGULAR: ±0.5°  
 TWO PLACE DECIMAL: ±0.010"  
 THREE PLACE DECIMAL: ±0.005"  
 DIAMETERS: 0.006" TIR ABOUT Q  
 MAXIMUM SURFACE ROUGHNESS: Ra 90 µin

MATERIAL  
 SEE NOTES 1 AND 2

HEAT TREATMENT  
 N/A

SURFACE FINISH  
 N/A

|           | NAME         | DATE     |
|-----------|--------------|----------|
| DRAWER    | TONY HEPP    | 6-8-2026 |
| ENG APPR. | TONY HEPP    | 6-8-2026 |
| MFG APPR. | MIKE RUSSELL | 6-9-2026 |



2324 W. Battlefield Rd. Springfield, MO 65807

TITLE:  
 UNIVERSAL QUICK DISCONNECT  
 COUPLER, BODY SIZE 06 / 3/8", MALE  
 PLUG, MALE ORB 3/4-16 UNF

|                  |                          |                 |
|------------------|--------------------------|-----------------|
| SIZE<br><b>A</b> | DWG. NO.<br>UQD06M-SM60U | REV<br><b>A</b> |
|------------------|--------------------------|-----------------|

|                               |        |              |
|-------------------------------|--------|--------------|
| THEORETICAL WEIGHT<br>2.94 OZ | SCALE: | SHEET 1 OF 1 |
|-------------------------------|--------|--------------|

**PROPRIETARY AND CONFIDENTIAL**

THE INFORMATION DISCLOSED IN THIS DOCUMENT IS PROPRIETARY TO FOSTER MFG. CO. AND MAY NOT BE USED FOR MANUFACTURE OR ANY OTHER PURPOSE WITHOUT THE WRITTEN CONSENT OF FOSTER MFG CO.